



Available as of Q2/2020!

SATA filter 584

SATA filter 584 – Features

- Higher absorption of contaminations (compared to SATA filter 484) due to the new sintered activated charcoal filter
- Air flow with 4 connections approx. 3,800 NI/min (135 cfm) (before approx. 3,600 NI/min)
- SATA filter timer to monitor the exchange intervals of all filter cartridges
- Filter maintenance of all stages only required every 6 months
- Maintenance-free bayonet lock with haptic and acoustic feedback



SATA filter 584 – More features

- Perfect and defined positioning of the fine filter and activated charcoal filter cartridges – no bolted connection or additional seals required
- CCS Color Code System on the filter housing and filter cartridges for a reliable maintenance
- Upgrade of a SATA filter 544 to a 584 possible through a simple connector system
- Large pressure regulator for a precise setting of the required outlet pressure
- Maintenance-free sealing elements
- Left- and right-handside installation of the air line possible
- Flow-optimized cyclone separator with enhanced particle separation efficiency (approx. 10%) of particles > 5 µm



SATA 584 – Facts & Features

SATA filter 484

before



SATA filter 584

NEW!



| | | |
|-----------------------------------------|-------------------------------------------------------------------------------------------------------------|---------------------------------------------------------------------------------------------------------------------|
| Activated charcoal filter | - | Higher absorption of contaminations (compared to SATA filter 484) due to the new sintered activated charcoal filter |
| Air flow | 3,600 NI/min at 6 bar / 127 cfm at 87 psi | 3,800 NI/min at 6 bar / 135 cfm at 87 psi |
| SATA filter timer | 3 filter timers to monitor the exchange intervals of the filter cartridges | 1 filter timer to monitor the exchange intervals of all filter cartridges |
| Exchange intervals of the filter stages | Sintered filter: every 6 months Fine filter: every 6 months Activated charcoal filter: every 3 months | Filter maintenance of all stages only required every 6 months |
| Sealing of the filter housings | Low-maintenance fine thread (grease at each filter interval) | Maintenance-free bayonet lock with haptic and acoustic feedback |
| Sintered filter | - | Flow-optimized cyclone separator with enhanced particle separation efficiency (approx. 10%) of particles > 5 µm |
| CCS | - | CCS Color Code System on the filter housing and filter cartridges for a reliable maintenance |
| Sealing elements | Partly maintenance-free | Maintenance-free |

SATA filter 584 – Product description

SATA filter timer to monitor the exchange intervals of all filter cartridges

Flow-optimized cyclone separator with enhanced particle separation efficiency of particles > 5 µm

First filter stage

Sintered filter to separate particles > 5 µm;
filter cleaning and exchange interval: every 6 months

Second filter stage

Fine filter cartridge to separate particles > 0.01 µm;
separation efficiency 99.998 %;
exchange interval: every 6 months

Third filter stage:

Sintered activated charcoal cartridge with higher separation efficiency of oil vapours. Suitable for pressure-fed breathing protection and for the application of waterborne paints;
exchange interval: every 6 months

Large pressure regulator for a precise setting of the required outlet pressure

Air outlet module extendable if required

Optional air outlet G ½" female thread

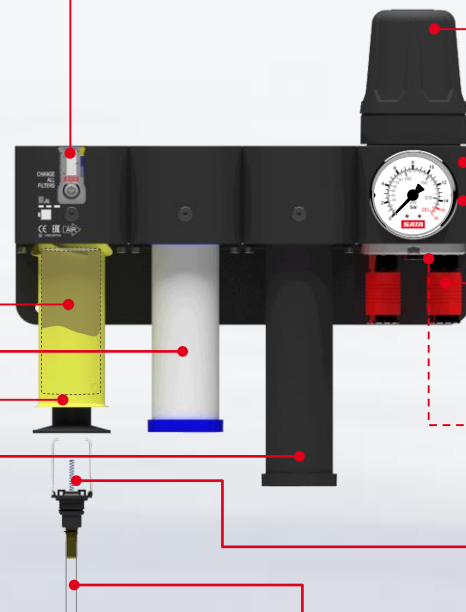
Air inlet G ½" female thread;
Air flow: approx. 3,800 NI/min (135 cfm)
at 6.0 bar (87 psi)
Left- and right-handside installation of the air line possible

Air outlets with ball valves (¼" male thread)
– Optional: SATA high flow quick couplings

Connection for CO monitor (USA / Canada)

Automatic condensate discharge valve with high operating security and low service requirements

Condensate drain hose



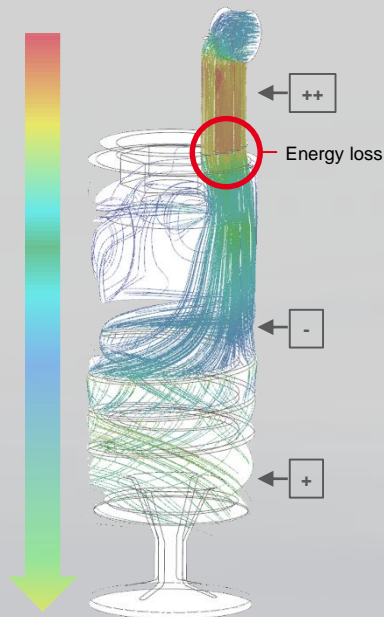
 = new

SATA filter 584 – Cyclone separator

before

SATA filter 484

The incoming compressed air enters into the cyclone separator (undefined position) at high speed and is strongly decelerated due to the impact on the spiral (energy loss). The air must be accelerated again in order to achieve the best possible separation of harmful particles. The uneven flow (fast – slow – fast) and the abrupt deceleration of the air flow leads to a pressure loss in the filter stage and thus in the entire system.

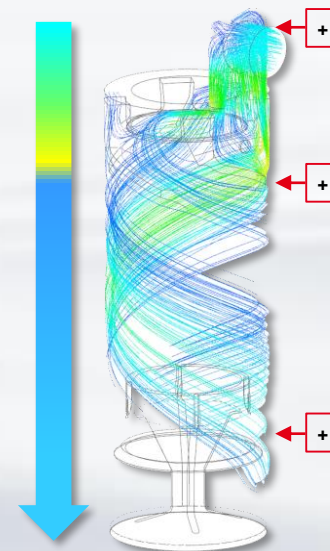


NEW!

SATA filter 584

The flow-optimized cyclone separator with its defined position minimizes the pressure loss in the system and increases the efficiency of the particle separation by...

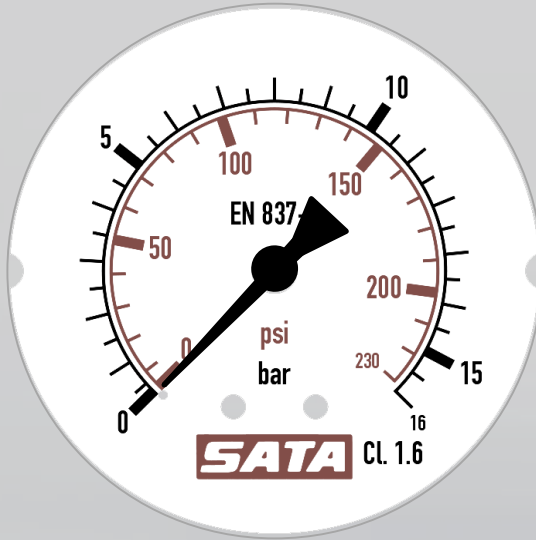
- an even and directed air flow,
- and a longer stretch of the rotating trajectory.



SATA filter 584 – Pressure regulator

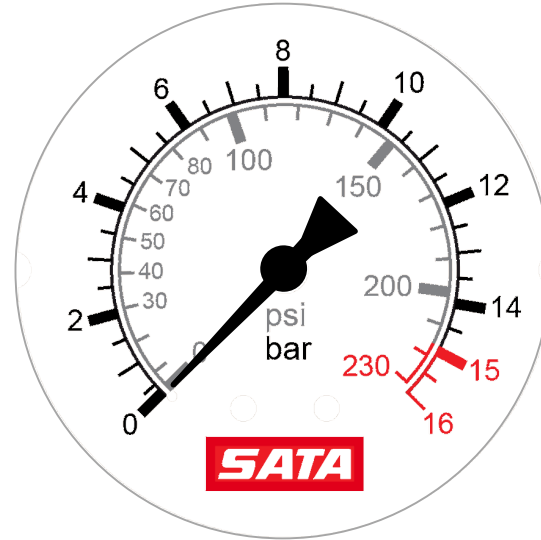
SATA filter 484

before



SATA filter 584

NEW!



New scale for an
easier pressure adjustment

SATA filter 584 – Maintenance and care



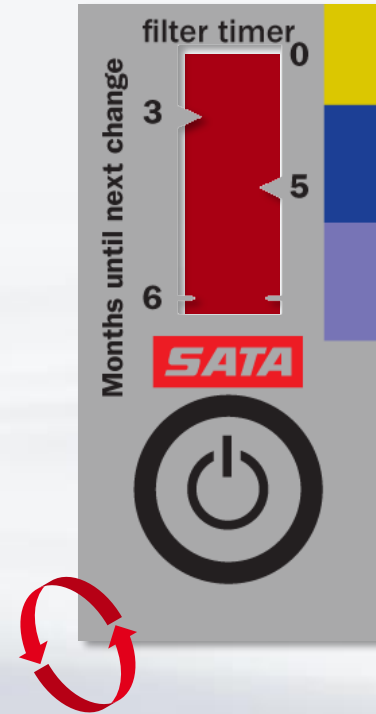
- Fineness: 5 μm
- Maintenance: after approx. 6 months



- Fineness: 0.01 μm
- Maintenance: after approx. 6 months



- Maintenance: after approx. 6 months



Don't risk your health or
the quality of your work!

>> **change your filter cartridges!**

SATA filter 500er series – Technical details

SATA filter 484



SATA filter 584



| | | |
|------------------------|--------------------------------------------------------------|----------------------------------------------------------------|
| Separation efficiency | 100% technically clean air (relating to particles > 0.01 µm) | 100% technically clean air (relating to particles > 0.01 µm) |
| Fineness | Sintered filter: 5 µm / fine filter: 0.01 µm | Sintered filter: 5 µm / fine filter: 0.01 µm |
| Air flow | 3,600 NI/min at 6 bar / 127 cfm at 87 psi | 3,800 NI/min at 6 bar / 135 cfm at 87 psi |
| Temperature resistance | Up to 120°C / 60 °C [248° F / 140° F] | Up to 120°C (1.+2. stage) / 60 °C (3. stage) [248° F / 140° F] |
| Connection | Right or left G ½" female thread | Right or left G ½" female thread |
| Air outlet | 2x ¼" male thread; 1x G ½" female thread | 2x ¼" male thread; 1x G ½" female thread |

SATA filter 500er series – Technical details

| Type | SATA filter 544 | SATA filter 584 |
|-------------------------------|-----------------------------------------------------------------------|--------------------------------------------------------------------|
| Separation efficiency | 99.998% technically clean air (relating to particles > 0.01 µm) | 100% technically clean air (relating to particles > 0.01 µm) |
| Fineness | Sintered filter: 5 µm Fine filter: 0.01 µm | |
| Air flow | 3,800 NI/min at 6 bar / 135 cfm at 87 psi | |
| Temperature resistance | Up to 120°C [248° F] | Up to bis 60°C [140° F] |
| Connection | Right or left G ½“ female thread | |
| Air outlet | 2x ¼“ male thread; 1x G ½“ female thread | |